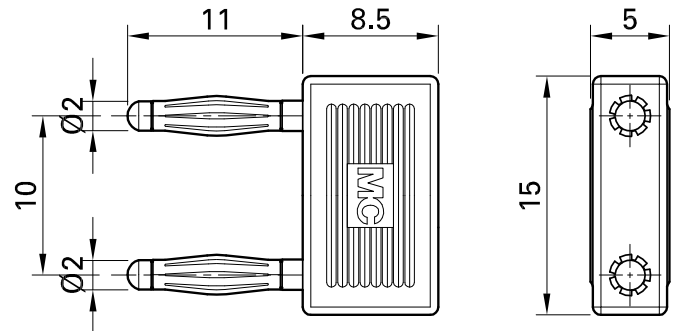


KS2-10L/1



Item number 24.0043-*

Insulated, Ø 2 mm, made of brass, one piece and with springloaded MULTILAM.

Technical data	
Diameter of plug system	2 mm
Rated Values	30 VAC, 10 A / 60 VDC, 10 A
Surface treatment electrical contact	Au
Base material electrical contact	CuZn
Colours *	29
Plug spacing	10 mm
Test accessory acc. to	IEC EN 61010-031